

# Zebra® 105SL™

Thermal, On-Demand, All-Metal Bar Code Printer



## Serious about bar coding? Here's the choice of experience.

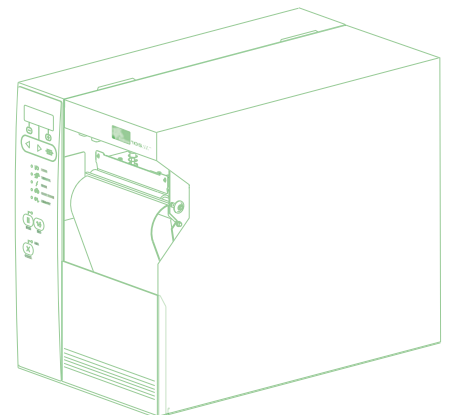
The 105SL combines enhanced memory, processing capacity, and features with rugged and reliable all-metal construction. Proven platform longevity plus fast processing and print speed make it the choice of experienced users who value reliability, productivity, consistent print quality, network compatibility, and superior service and support.

## Cutting-Edge Network Connectivity

The 105SL offers flexible connectivity options including ZebraNet® Internal Wireless Plus print server to free you to move or reconfigure the printer without costly recabling, plus ZebraNet 10/100 Print Server, which offers a complete wired solution when using 10Base-T, 100Base-TX, and fast Ethernet 10/100 auto-switching networks. And with Zebra advanced printer management, gain the efficiency and the ease of centralized monitoring and control of your Zebra printers and ZebraNet print servers.

The 105SL is ideal for moderate- to high-volume printing applications (including distributed, batch, or single format) in:

- Manufacturing and compliance labeling
- Logistics and inventory control
- Product identification marking
- Work in process





## 105SL

A tough steel housing, metal interior components, and an extruded metal printhead mechanism contribute to the 105SL's reliability in industrial environments.

### Specifications at a Glance\*

#### STANDARD FEATURES

Print methods: Thermal transfer or direct thermal  
 Construction: Steel frame and cabinet with metal interior components  
 Single-level Element Energy Equalizer™ (E³™) for superior print quality  
 Fast 32-bit processing  
 Selectable print speeds up to 8"/second  
 Transmissive media sensor  
 Standard 2-line, 16-character LCD control panel  
 Internal real-time clock  
 Unicode™ compliant  
 XML-Enabled printing—direct-connect integration for bar code label printing; eliminates license fees and print server hardware and lowers customization and programming costs

#### PRINTER SPECIFICATIONS

##### Resolution

203 dpi/8 dots per mm;  
 300 dpi/12 dots per mm (optional)

##### Memory

Standard: 6 MB SDRAM; 4 MB Flash  
 Optional: Up to 256 MB—PCMCIA card or CompactFlash® (CompactFlash not supported with ZebraNet Wireless Plus)  
 64 MB Flash memory (factory installed)

##### Print Width

Width: 4.09"/104 mm

##### Print Length with 203 dpi:

106"/2,692 mm (with standard memory)

##### Print Length with 300 dpi (optional):

65"/1,651 mm (with standard memory)

##### Print Speed

8"/203 mm per second (203/300 dpi)

##### Media Sensors

Transmissive (standard) and Reflective (optional)

#### MEDIA CHARACTERISTICS

##### Maximum label and liner length

39"/991 mm

##### Maximum label and liner width

.79"/20 mm to 4.52"/115 mm

##### Maximum roll outer diameter (O.D.)

8"/203 mm

##### Core inner diameter (I.D.)

3"/76 mm

##### Media thickness

.003"/.076 mm to .012"/.305 mm

##### Media types

Roll-feed, die-cut, continuous, fanfold, tags, tickets  
 For optimum print quality and printer performance, use genuine Zebra™ supplies.

#### RIBBON CHARACTERISTICS

##### Outside diameter

3.2"/81.3 mm

##### Standard length

984'/300 m to 1,476'/450 m

##### Ratio

2:1 and 3:1 media roll to ribbon ratio

##### Width

.79"/20 mm to 4.5"/114 mm

##### Ribbon setup

Ribbon wound ink side out  
 Ribbon is recommended to be at least as wide as media.

##### Core inner diameter (I.D.)

1"/25.4 mm

#### OPERATING CHARACTERISTICS

##### Environmental

Operating Temp. 32° F/0° C to 104° F/40° C  
 Storage/Environ. -40° F/-40° C to 140° F/60° C  
 Operating Humidity 20-85% non-condensing  
 Storage Humidity 5-85% non-condensing

##### Electrical

Universal power supply with factor correction  
 90-264 VAC; 48-63 Hz

##### Agency Approvals

UL 1950; CISPR 22 (Class B); CSA 950; IEC 950;  
 801-2, -3 and -4 standards; Canadian Doc. (Class A); FCC (Class A); CE compliance

#### PHYSICAL CHARACTERISTICS

Width: 11.2"/283 mm  
 Height: 15.5"/394 mm  
 Depth: 19.5"/495 mm  
 Weight: 55 lbs/25 kg  
 Shipping weight: 63 lbs./29 kg

#### RELATED PRODUCTS

##### Options and Accessories

300 dpi printhead  
 Full width cutter with orderable catch tray  
 Internal rewind spindle  
 Peel/liner rewind (for print-and-apply)  
 Reflective media sensor  
 Fanfold bin

#### ZEBRALINK™ SOLUTIONS

##### Software

ZebraDesigner™ Pro  
 ZebraDesigner for XML  
 ZebraDesigner  
 ZebraNet™ Bridge Enterprise  
 ZebraNet Utilities v 7.0  
 Zebra Universal Driver  
 European and Asian font sets  
 ZBI-Developer™

#### Networking

ZebraNet® 10/100 Print Server (internal or external)  
 ZebraNet Internal Wireless Plus  
 ZebraNet Wireless Plus  
 ZebraNet PrintServer II (external)  
 Twinax and coax interfaces (internal)

#### Firmware

ZPL II®  
 Global Printing  
 APL™  
 Web View  
 Alert  
 XML-Enabled printing  
 ZBI 2.0™

#### COMMUNICATION AND INTERFACE CAPABILITIES

Centronics® RS-232 RS-422\*, and RS-485\* serial ports; IEEE 1284 bi-directional parallel

#### BAR CODE SYMBOLOGIES

##### Linear Bar Codes

Code 11, Code 39, Code 93, Code 128 with subsets A/B/C and UCC Case Codes, ISBT-128, UPC-A, UPC-E, EAN-8, EAN-13, UPC and EAN 2 or 5 digit extensions, Plessey, Postnet, Standard 2-of-5, Industrial 2-of-5, Interleaved 2-of-5, Logmars, MSI, Codabar, GS1 DataBar (RSS)

##### 2-Dimensional

Codablock, PDF417, Code 49, Data Matrix, MaxiCode, QR Code, MicroPDF417, GS1 DataBar (RSS), Aztec

#### FONTS AND GRAPHICS

##### Fonts and Character Sets

Standard Fonts: 7 bitmapped, 1 smooth scalable (CG Triumvirate™ Bold Condensed)  
 Sets: IBM® Code Page 850 International character set  
 Contains UFST® from Monotype Imaging, Inc.

##### Graphic Features

Supports user-defined fonts and graphics—including custom logos  
 ZPL II drawing commands—including boxes, circles and diagonal lines

\*Specifications subject to change without notice.

©2008 ZIH Corp. ZebraDesigner, ZebraLink, ZebraNet, ZBI 2.0, ZBI-Developer, APL, Element Energy Equalizer, E³, and all product names and numbers are Zebra trademarks and Zebra, the Zebra head graphic, ZebraNet, and ZPL II are registered trademarks of ZIH Corp. All rights reserved. Centronics is a registered trademark of Centronics Data Computer Corporation. CG Triumvirate and UFST are trademarks of Monotype Imaging, Inc. and may be registered in certain jurisdictions. IBM is a trademark or registered trademark of International Business Machines Corporation in the United States, other countries, or both. CompactFlash is a registered trademark of SanDisk Corporation. Unicode is a trademark of Unicode, Inc. All other trademarks are the property of their respective owners.



#### GLOBAL/AMERICAS HEADQUARTERS

Zebra Technologies Corporation  
 333 Corporate Woods Parkway  
 Vernon Hills, IL 60061-3109 U.S.A.  
 T: +1 847 793 2600 or  
 +1 800 423 0442  
 F: +1 847 913 8766

#### EMEA HEADQUARTERS

Zebra Technologies Europe Limited  
 Zebra House, Unit 14, The Valley Centre  
 Gordon Road, High Wycombe  
 Buckinghamshire HP13 6EQ, UK  
 T: +44 (0)1494 472872  
 F: +44 (0)1494 768251

#### ASIA-PACIFIC HEADQUARTERS

Zebra Technologies Asia Pacific, LLC  
 120 Robinson Road  
 #06-01 Parakou Building  
 Singapore 068913  
 T: +65 6858 0722  
 F: +65 6885 0838

www.zebra.com



OTHER LOCATIONS » USA California, Georgia, Rhode Island, Texas, Wisconsin EUROPE France, Germany, Italy, Netherlands, Poland, Spain, Sweden

ASIA-PACIFIC Australia, China, Japan, South Korea LATIN AMERICA Florida (USA), Mexico AFRICA/MIDDLE EAST India, Russia, South Africa, United Arab Emirates

An ISO 9001 registered company  
 GSA#: GS-35F-0268N  
 ©2008 ZIH Corp. Printed in U.S.A.  
 #113411 Rev. 24 (4/08) 5M